



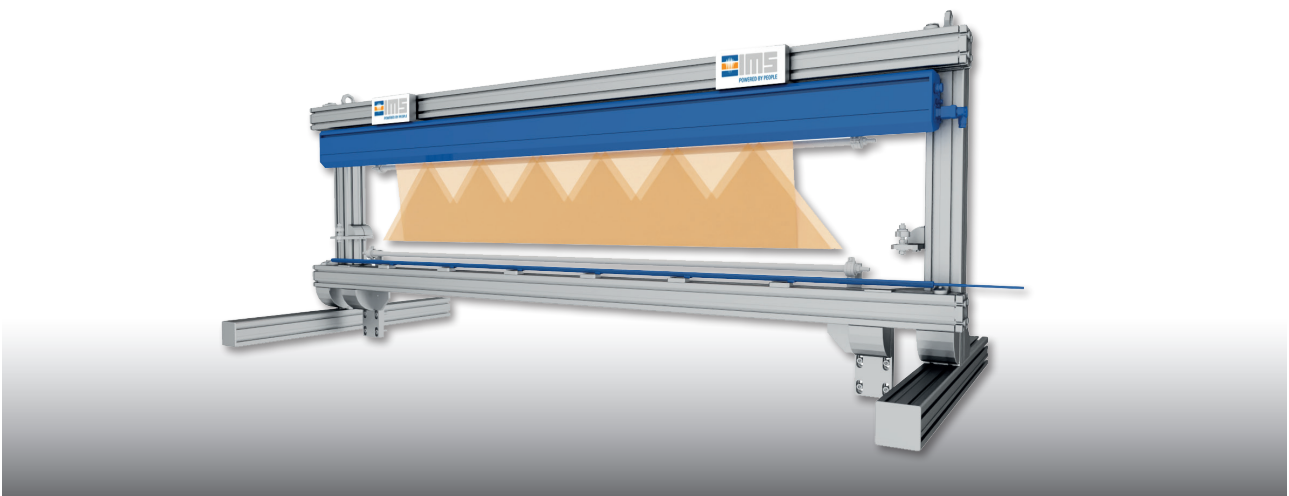
## CCS Slit Strip Width Measuring System

With its CCS slit strip width measuring system, IMS offers a width measuring system for slit strips especially for use in slitting lines.

The slit strip width measuring system not only provides exact measurement results when the line is at a stand-

still, but also continuously over the complete length of the coil – individually for every strip.

Transgressions of width tolerance ranges are ascertained immediately during production and indicated.



### Measurement Task

- slit strip width
- optional:
  - strip edge fault detection

### Special Features

- reliable IMS hardware ensures a long-lasting and low-maintenance operation, in a compact and light-weight design
- intelligent light source with intensity control
- automatic dirt detection and warning
- stationary CCS measuring devices require no maintenance
- online visualisation of the results and reporting via user-defined results interface for each individual strip
- optional:
  - blow-off and air wipe system
  - DAkkS-certified calibration standard

## Material Data

Typical thickness range:	up to 6 mm, but not limited to
Max. speed:	up to 350 m/min, but not limited to
Width:	up to 2,400 mm, but not limited to
Number of strips:	not limited
Min. strip width:	3 mm
Min. distance between strips:	1 mm
Length:	not limited / continuous inspection

## Measuring System Data

Gauge type:	fixed mounted frame or moveable C-frame
Radiation source:	intelligent LED backlight
Camera type:	CCS (16 cameras per cluster)
Typical working distance camera:	235 mm
Typical working distance backlight:	125 mm

## Measuring Dynamics

Sampling rate:	up to 28 kHz
----------------	--------------

## Measuring Accuracy

Slit strip width accuracy:	$\pm 0.05$ mm ( $2 \sigma$ ) typical
----------------------------	--------------------------------------